



# Hermetic Exhaust Gas and Wheel Space Thermocouple and Cable

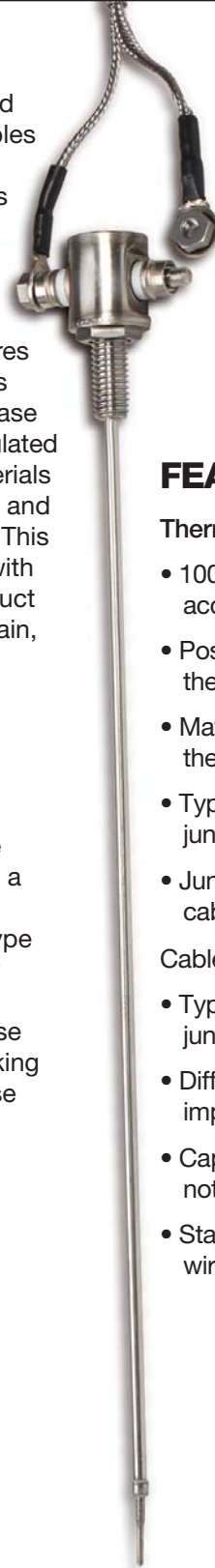
FOR FRAME 6, 7, AND 9 GAS TURBINE APPLICATIONS

## THERMOCOUPLE

AMETEK Hermetic Exhaust Gas (EGT) and Wheel Space Frame Turbine Thermocouples are the latest OEM production qualified design and incorporate many improvements over previous thermocouple offerings. AMETEK's new thermocouple is 100% hermetic which ensures longer product life, improved temperature accuracy, and no troublesome insulation resistance failures during operation. The junction box mounts directly to the radiation shield or turbine case and eliminates the problem of mineral insulated cable extending outside the turbine. Materials were carefully selected to ensure long life and to eliminate vibration and galling failures. This new thermocouple, used in conjunction with AMETEK's flexible cable, provides a product that is not only easier to install and maintain, but also a product that is more reliable, accurate, and longer lived.

## CABLE

The flexible, stainless steel braided thermocouple Cable mates directly to the new Hermetic Thermocouple and creates a much more reliable thermocouple system than previous designs. The Cable uses Type K wire and terminal lugs so no secondary junction errors are introduced into the thermocouple circuit. The terminal lugs use two different sizes of captivated nuts making it impossible to install incorrectly or to lose any of the hardware.



## FEATURES AND BENEFITS

### Thermocouple

- 100% Hermetic—provides longer life, better accuracy, and no insulation resistance failures
- Positive Stop—ensures proper location of thermocouple tip in radiation shield
- Material Selection—eliminates seizure of thermocouple into radiation shield
- Type K Terminal Studs—reduces secondary junction errors
- Junction Box—simplifies installation and makes cable connection foolproof

### Cable

- Type K Terminal Lugs—ensures no secondary junction errors are introduced
- Different Sized Terminal Lugs—make it impossible to cross-wire
- Captivated Hardware—nothing to lose and nothing more to purchase
- Stainless Steel Braid—protects Teflon coated wires from abrasion

## SPECIFICATIONS

### Calibration

- Type K, Ungrounded
- Error: Standard ( $\pm 0.75\%$ ) or Special ( $\pm 0.4\%$ ) limits depending on part number

### Time Response

- Varies from 1.7 to 4.0 seconds depending on tip configuration

### Hermetic Seal

- 1 x 10<sup>-6</sup> cc/sec for entire thermocouple

### Environment

- -20° to 700°F at thermocouple junction box (-29° to 371°C)
- -20° to 392°F for the cable (-29° to 200°C)
- 100% Humidity for the entire thermocouple

### Lengths

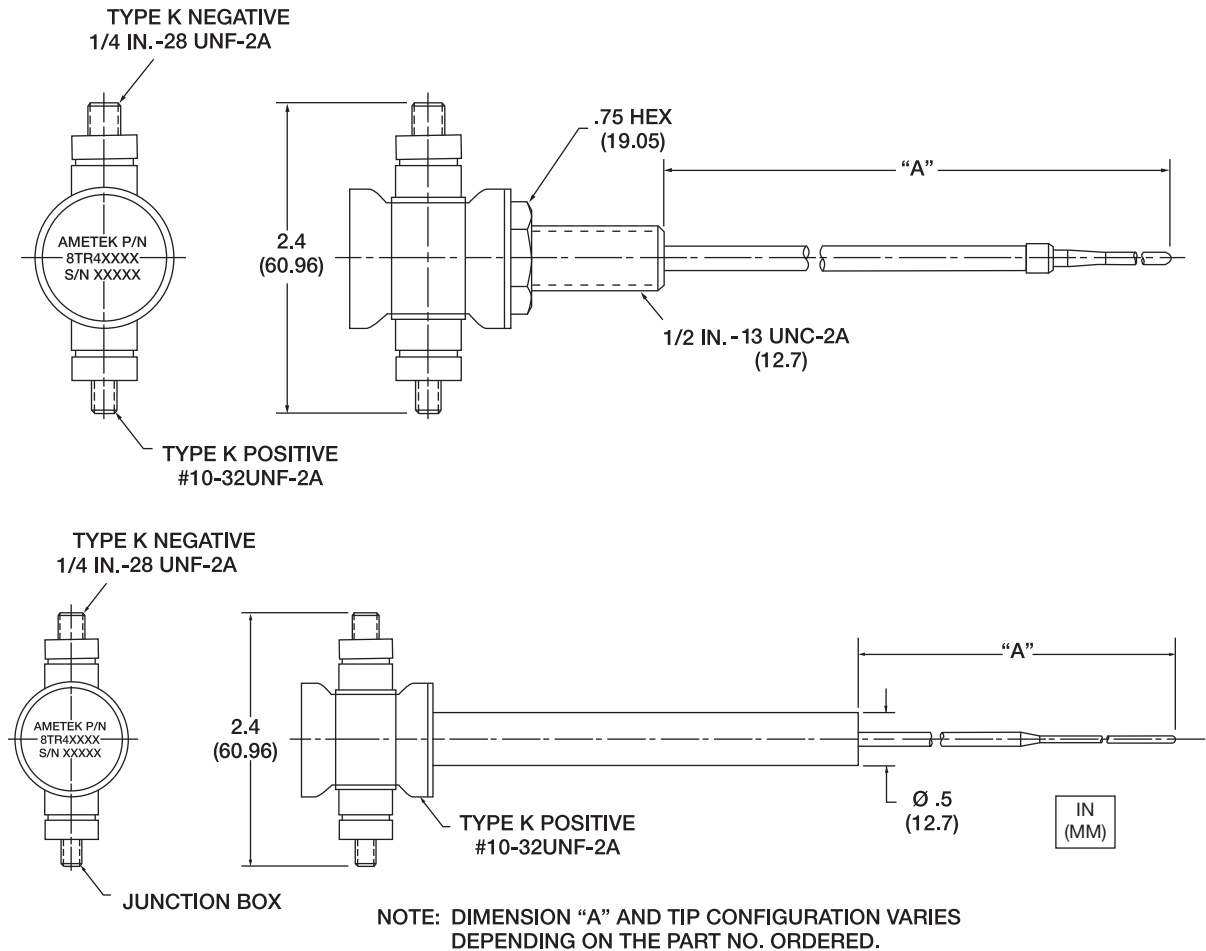
- Various from 9" to 123"

### Tip Diameters

- Various from 0.062" to 0.125"

### Sheath Diameters

- Various from 0.125" to 0.188"



For customer support call:

**POWER INSTRUMENTS**  
 255 North Union Street  
 Rochester, NY 14605  
 Tel: 585.263.7700  
 Fax: 585.454.7805  
 power.sales@ametek.com

**HEADQUARTERS**  
 AMETEK Power Instruments  
 50 Fordham Road  
 Wilmington, MA 01887  
 Tel: 978.988.4903  
 Fax: 978.988.4990  
 power.sales@ametek.com

**EUROPEAN HEADQUARTERS**  
 Unit 15, Lisburn Enterprise Centre  
 Ballinderry Road  
 Lisburn, Co Antrim, UK BT282BP  
 Tel: 44.28.9260.4100  
 Fax: 44.28.9260.4141  
 sales@ametekuk.com

**ASIA PACIFIC HEADQUARTERS**  
 10 Ang Mo Kio Street 65  
 #05-12 Techpoint  
 Singapore 569059  
 Tel: 65.484.2388  
 Fax: 65.481.6588

