



LM6000 T4.8 Exhaust Gas Temperature Thermocouple

FOR ALL NEW AND EXISTING LM6000 GAS TURBINE APPLICATIONS

**POWER
& INDUSTRIAL**

THERMOCOUPLE

The latest and most capable LM6000 gas turbine exhaust gas temperature (EGT) probe from AMETEK offers the longest possible life. AMETEK is the original EGT probe supplier for CF6 aircraft engines, LM2500, LM5000, and LM6000 industrial gas turbines and now brings to market an EGT probe with new materials and a new design. The latest LM6000 T4.8 EGT thermocouple is OEM qualified and incorporates many improvements over any previous products. Materials are carefully selected to ensure long product life and superior performance. Specifically, a new single crystal alloy for the probe support significantly improves high temperature mechanical strength. In addition, the thermocouple sheath material increases high temperature oxidation and creep resistance. Best of all, AMETEK's new T4.8 thermocouple is completely interchangeable so that it can be used on all LM6000 applications.



FEATURES AND BENEFITS

- Advanced Materials—improved high temperature mechanical strength and oxidation resistance ensures increased RELIABILITY & provides LONGER LIFE
- 100% Hermetic—no insulation resistance failures, better accuracy, and provides longer life
- Type K Terminal Contacts—reduces secondary junction errors
- Different Sized Terminal Studs—makes it impossible to cross-wire
- Gold Plated Threads—prevents seizing between terminal studs and cable lugs
- OEM Qualified—ensures product meets all new OEM performance requirements

AMETEK[®]
POWER INSTRUMENTS

EXPERIENCE THE
POWER[™]

SPECIFICATIONS

FUNCTIONAL

Signal Output

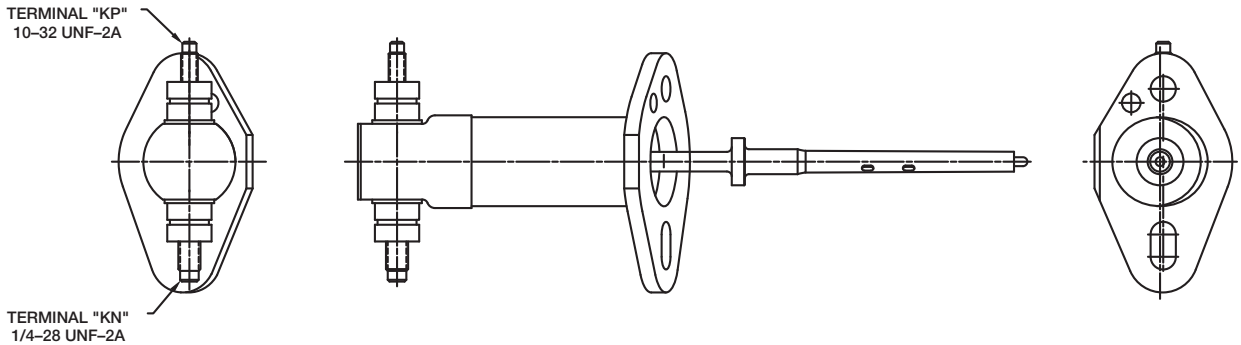
- Type K, Ungrounded, two junctions
- Accuracy: 34.48°F (1.38°C) ± 0.5% of measured temperature whichever is greater

Hermetic Seal

- 1 x 10⁻⁵ cc/sec for entire thermocouple

Environment

- -65° to 804°F (-54° to 428°C) at thermocouple junction box
- -65° to 2050°F (-54° to 1121°C) at thermocouple junctions
- 100% Humidity for the entire thermocouple



For customer support call:

POWER INSTRUMENTS
 255 North Union Street
 Rochester, NY 14605
 Tel: 585.263.7700
 Fax: 585.454.7805
 power.sales@ametek.com

HEADQUARTERS
 AMETEK Power Instruments
 50 Fordham Road
 Wilmington, MA 01887
 Tel: 978.988.4903
 Fax: 978.988.4990
 power.sales@ametek.com

EUROPEAN HEADQUARTERS
 Unit 15, Lisburn Enterprise Centre
 Ballinderry Road
 Lisburn, Co Antrim, UK BT282BP
 Tel: 44.28.9260.4100
 Fax: 44.28.9260.4141
 sales@ametekuk.com

ASIA PACIFIC HEADQUARTERS
 10 Ang Mo Kio Street 65
 #05-12 Techpoint
 Singapore 569059
 Tel: 65.484.2388
 Fax: 65.481.6588



ISO 9001 Certified